

Pneumatic connection technologies ▶ Fittings with tube nuts










Series NU1

Brochure



Pneumatic connection technologies ▶ Fittings with tube nuts

Series NU1

	Series NU1 ▶ Straight fitting ▶ G 1/8 - G 3/8 ▶ Ø 4 - Ø 9 ▶ NU1-S-RPN	3
	Series NU1 ▶ bulkhead connector ▶ Ø 4 - Ø 9 ▶ Ø 4 - Ø 9 ▶ NU1-S-RSC	4
	Series NU1 ▶ Elbow fitting ▶ R 1/8 - R 1/4 ▶ Ø 4 - Ø 9 ▶ NU1-S-RVT	5
	Series NU1 ▶ Swivel banjo connection 1-fold ▶ external thread ▶ G 1/8 - G 1/4 ▶ plug-in with tube nut ▶ Ø 4 - Ø 6 ▶ NU1-S-RW1	6
	Series NU1 ▶ 1x banjo union ▶ G 1/8 - G 1/4 ▶ Ø 4 - Ø 6 ▶ NU1-S-RV1	7
	Series NU1 ▶ Swivel T-piece ▶ external thread ▶ G 1/8 - G 1/4 ▶ plug-in with tube nut, 2x ▶ Ø 4 - Ø 6 ▶ NU1-S-RTS	8
	Series NU1 ▶ 2x banjo union ▶ G 1/8 - G 1/4 ▶ Ø 4 - Ø 6 ▶ NU1-S-RT1	9
	Series NU1 ▶ T-connector ▶ Ø 4 - Ø 9 ▶ Ø 4 - Ø 9 ▶ NU1-S-RTK	10
	Series NU1 ▶ tube nut ▶ NU1-S-RNU	11

Pneumatic connection technologies ▶ Fittings with tube nuts

Series NU1

▶ Straight fitting ▶ G 1/8 - G 3/8 ▶ Ø 4 - Ø 9 ▶ NU1-S-RPN



00010791

Ambient temperature min./max.
Working pressure min./max.

-10°C / +60°C
0 bar / 10 bar

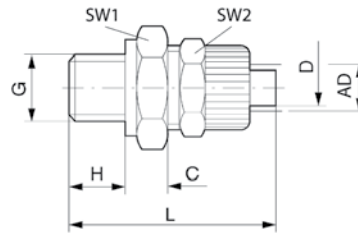
Materials:
Housing

Polyoxymethylene

Technical Remarks

- For further information about assembling and tolerances of adaptable tubing, see the section "Technical information".

Dimensions



00107803

Part No.	Port D	Port G	C	H	L	SW 1	SW 2	AD 1)	Delivery quantity [Piece]	Weight [kg]		
1823391037	Ø 4	G 1/8	6	6.5	28.5	14	12	6.2	25	0.004		
1823391038	Ø 6	G 1/8	5	6.5	28.5	14	14	8.2	25	0.005		
1823391039	Ø 4	G 1/4	6.8	8.5	31.3	17	12	6.2	25	0.005		
1823391044	Ø 6	G 1/4	5.8	8.5	31.3	17	14	8.2	25	0.006		
1823391267	Ø 9	G 1/4	7.1	8.1	33.7	17	19	12.4	25	0.007		
1823391263	Ø 6	G 3/8	7.4	10	34.4	19	14	8.2	25	0.006		
1823391268	Ø 9	G 3/8	6.6	10	35.1	19	19	12.4	10	0.006		

Connection D = inside diameter of the tubing to be used

1) AD = external diameter of the tubing to be used.

Series NU1

▶ bulkhead connector ▶ Ø 4 - Ø 9 ▶ Ø 4 - Ø 9 ▶ NU1-S-RSC



00110632

Ambient temperature min./max.
Working pressure min./max.

-10°C / +60°C
0 bar / 10 bar

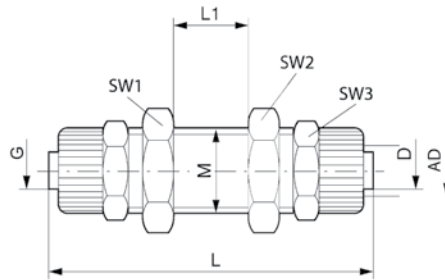
Materials:
Housing

Polyoxymethylene

Technical Remarks

- For further information about assembling and tolerances of adaptable tubing, see the section "Technical information".

Dimensions



00107827

Part No.	Port D	Port G	L	L1 1)	M	SW 1	SW 2	SW 3	AD 2)	Delivery quantity [Piece]	Weight [kg]
1823391277	Ø 4	Ø 4	51.4	10	M10x1	14	14	12	6	10	0.013
1823391278	Ø 6	Ø 6	51.4	10	M12x1	17	17	14	8	10	0.015
1823391279	Ø 9	Ø 9	64	10	M16x1	22	22	19	12	10	0.019

1) Max.

Connection D = inside diameter of the tubing to be used

2) AD = external diameter of the tubing to be used.

Pneumatic connection technologies ▶ Fittings with tube nuts

Series NU1

▶ Elbow fitting ▶ R 1/8 - R 1/4 ▶ Ø 4 - Ø 9 ▶ NU1-S-RVT



00110631

Ambient temperature min./max.
Working pressure min./max.

-10°C / +60°C
0 bar / 10 bar

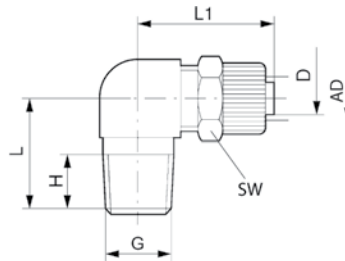
Materials:
Housing

Polyoxymethylene

Technical Remarks

- For further information about assembling and tolerances of adaptable tubing, see the section "Technical information".

Dimensions



00107806

Part No.	Port D	Port G	H	L	L1	SW	AD 1)	Delivery quantity [Piece]	Weight [kg]			
1823391269	Ø 4	R 1/8	8	17.5	22	12	6.2	10	0.004			
1823391270	Ø 6	R 1/8	8	17.5	22	14	8.2	10	0.004			
1823391271	Ø 4	R 1/4	11	21	24	12	6.2	10	0.005			
1823391272	Ø 6	R 1/4	11	21	24	14	8.2	10	0.005			
1823391273	Ø 9	R 1/4	11	24	26	19	12.4	10	0.009			

Connection D = inside diameter of the tubing to be used
1) AD = external diameter of the tubing to be used.

Series NU1

▶ Swivel banjo connection 1-fold ▶ external thread ▶ G 1/8 - G 1/4 ▶ plug-in with tube nut ▶ Ø 4 - Ø 6 ▶ NU1-S-RW1



00110625

Ambient temperature min./max.
Working pressure min./max.

-10°C / +60°C
0 bar / 10 bar

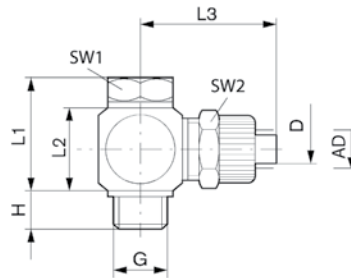
Materials:
Housing

Polyoxymethylene

Technical Remarks

- For further information about assembling and tolerances of adaptable tubing, see the section "Technical information".

Dimensions



00107805

Part No.	Port D	Port G	H	L1	L2	L3	SW 1	SW 2	AD 1)	Delivery quantity [Piece]	Weight [kg]
1823391102	Ø 4	G 1/8	7.7	20.2	16.3	24.5	14	12	6	10	0.011
1823391103	Ø 6	G 1/8	7.7	20.2	16.3	24.5	14	14	8	10	0.001
1823391104	Ø 4	G 1/4	8.8	21	16.3	26.5	17	12	6	10	0.016
1823391105	Ø 6	G 1/4	8.8	21	16.3	26.5	17	14	8	10	0.016

Connection D = inside diameter of the tubing to be used
1) AD = external diameter of the tubing to be used.

Pneumatic connection technologies ▶ Fittings with tube nuts

Series NU1

▶ 1x banjo union ▶ G 1/8 - G 1/4 ▶ Ø 4 - Ø 6 ▶ NU1-S-RV1



00112359

Ambient temperature min./max.
Working pressure min./max.

-10°C / +60°C
0 bar / 10 bar

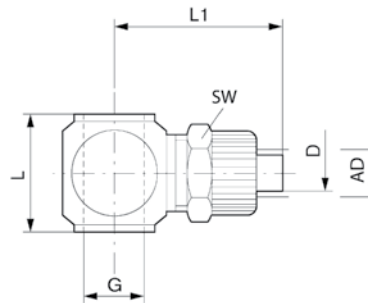
Materials:
Housing

Polyoxymethylene

Technical Remarks

- For further information about assembling and tolerances of adaptable tubing, see the section "Technical information".

Dimensions



00107817

Part No.	Port D	Port G	L	L1	SW	AD 1)	Delivery quantity [Piece]					
1823391110	Ø 4	G 1/8	16.3	24.5	12	4	25					
1823391111	Ø 6	G 1/8	16.3	24.5	14	6	25					
1823391112	Ø 4	G 1/4	16.3	26.5	12	4	25					
1823391113	Ø 6	G 1/4	16.3	26.5	14	6	25					

Connection D = inside diameter of the tubing to be used
1) AD = external diameter of the tubing to be used.

Series NU1

▶ Swivel T-piece ▶ external thread ▶ G 1/8 - G 1/4 ▶ plug-in with tube nut, 2x ▶ Ø 4 - Ø 6 ▶ NU1-S-RTS



00110626

Ambient temperature min./max.
Working pressure min./max.

-10°C / +60°C
0 bar / 10 bar

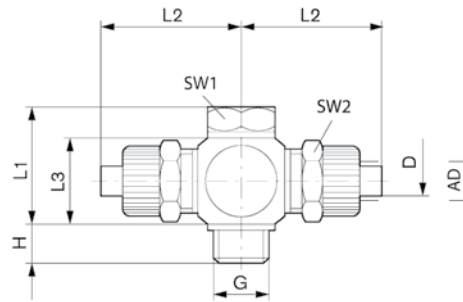
Materials:
Housing

Polyoxymethylene

Technical Remarks

- For further information about assembling and tolerances of adaptable tubing, see the section "Technical information".

Dimensions



00107810

Part No.	Port D	Port G	H	L1	L2	L3	SW 1	SW 2	AD 1)	Delivery quantity [Piece]	Weight [kg]
1823391106	Ø 4	G 1/8	7	20.5	25	16.3	14	12	6	10	0.014
1823391107	Ø 6	G 1/8	7	20.5	25	16.3	14	14	8	10	0.014
1823391108	Ø 4	G 1/4	7.5	21.5	27	16.3	17	12	6	10	0.019
1823391109	Ø 6	G 1/4	7.5	21.5	27	16.3	17	14	8	10	0.019

Connection D = inside diameter of the tubing to be used

1) AD = external diameter of the tubing to be used.

Pneumatic connection technologies ▶ Fittings with tube nuts

Series NU1

▶ 2x banjo union ▶ G 1/8 - G 1/4 ▶ Ø 4 - Ø 6 ▶ NU1-S-RT1



00112361

Ambient temperature min./max.
Working pressure min./max.

-10°C / +60°C
0 bar / 10 bar

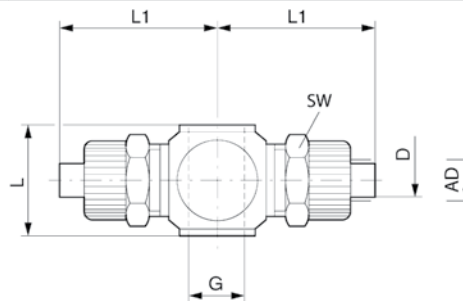
Materials:
Housing

Polyoxymethylene

Technical Remarks

- For further information about assembling and tolerances of adaptable tubing, see the section "Technical information".

Dimensions



00107819

Part No.	Port D	Port G	L	L1	SW	AD 1)	Delivery quantity [Piece]					
1823391114	Ø 4	G 1/8	16.3	25	12	4	10					
1823391115	Ø 6	G 1/8	16.3	25	14	6	10					
1823391116	Ø 4	G 1/4	16.3	27	12	4	10					
1823391117	Ø 6	G 1/4	16.3	27	14	6	10					

Connection D = inside diameter of the tubing to be used
1) AD = external diameter of the tubing to be used.

Series NU1

▶ T-connector ▶ Ø 4 - Ø 9 ▶ Ø 4 - Ø 9 ▶ NU1-S-RTK



00110627

Ambient temperature min./max.
Working pressure min./max.

-10°C / +60°C
0 bar / 10 bar

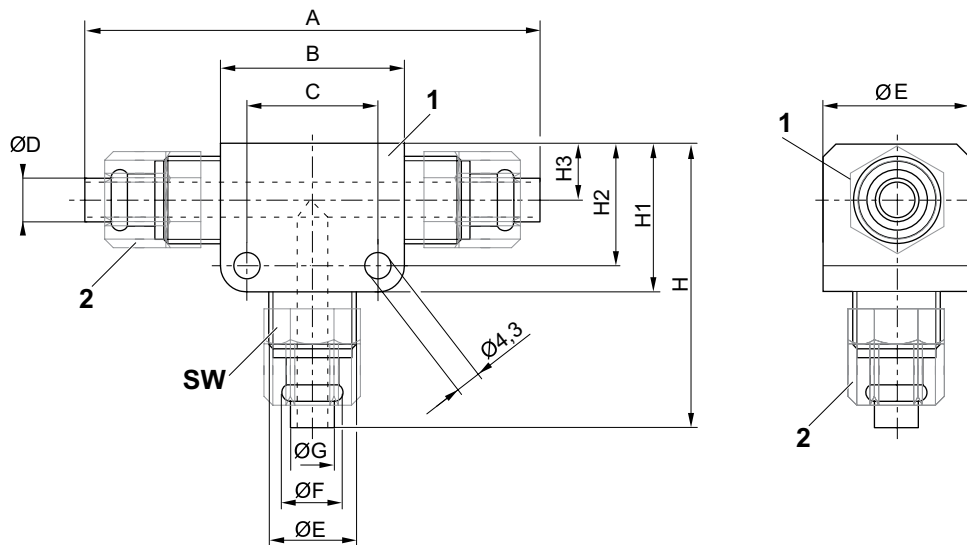
Materials:
Housing

Polyoxymethylene

Technical Remarks

- For further information about assembling and tolerances of adaptable tubing, see the section "Technical information".

Dimensions



00107821

- 1) T-connector
2) tube nut

Part No.	Port D	Port G	A	B	C	ØE	ØF	H	H1	H2	H3	SW
1823391118	Ø 4	Ø 4	52	20	12	M10x1	5.5	32	15.8	12	6	12
1823391119	Ø 6	Ø 6	52	20	12	M12x1	7.3	34	18	14	8	14
1823391275	Ø 9	Ø 9	63	25	15.5	M16x1	10.2	40	21.3	16.5	8	19

Part No.	Port D	Delivery quantity [Piece]	Weight [kg]									
1823391118	Ø 4	10	0.013									
1823391119	Ø 6	10	0.013									
1823391275	Ø 9	10	0.019									

Connection D = inside diameter of the tubing to be used

Pneumatic connection technologies ▶ Fittings with tube nuts

Series NU1

▶ tube nut ▶ NU1-S-RNU



00110595

Ambient temperature min./max.
Working pressure min./max.

-10°C / +60°C
0 bar / 10 bar

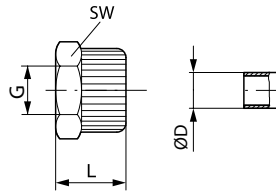
Materials:
Housing

Polyoxymethylene

Technical Remarks

- For further information about assembling and tolerances of adaptable tubing, see the section "Technical information".

Dimensions



00107830

Part No.	G	ØD	L	SW	Delivery quantity [Piece]	Weight [kg]						
1823313002	M10x1	6	13	12	50	0.002						
1823313003	M12x1	8	13	14	50	0.002						

Connection D = inside diameter of the tubing to be used

AVENTICS GmbH
Ulmer Straße 4
30880 Laatzen, GERMANY
Phone +49 511 2136-0
Fax +49 511 2136-269
www.aventics.com
info@aventics.com



Дополнительные адреса
можно найти на сайте
www.aventics.com/contact

**Официальный дистрибьютор
и системный интегратор
на территории Российской Федерации**

**ООО «Акетон»
www.pnshop.ru**

**+7 495 777-02-25
info@aketon.ru**

107241, Россия, г. Москва, ул. Иркутская, д. 1

www.pnshop.ru

**Локализованное в России сборочное производство
блоков подготовки сжатого воздуха и
пневмоостровов AVENTICS**

Используйте представленную продукцию AVENTICS только в промышленном секторе. Перед началом использования изделия внимательно и полностью прочитайте документацию по изделию. Соблюдайте действующие инструкции и законы соответствующей страны. Для гарантии безопасного использования изделий при их интеграции в установки учитывайте данные изготовителя системы. Приведенные данные служат исключительно для описания изделия. Наши данные не могут быть использованы для заключения относительно определенного свойства или пригодности для определенной области применения. Данная информация не освобождает пользователя от собственных оценок и самостоятельных проверок. Необходимо учитывать, что изделия подвергаются естественному процессу износа и старения.

29-06-2016

Конфигурация на титульном листе представлена в качестве примера. Поставляемое изделие может отличаться от изображения на рисунке. Компания сохраняет за собой право на внесение изменений. © AVENTICS S.à r.l., все права сохраняются, в том числе в случае заявки на предоставление правовой охраны. Любое право распоряжения, такое как право копирования и передачи сохраняется за нами. PDF он-лайн